

ROLL-UP DOOR
14' HIGH X
16' WIDE

EXIT

LOADING C

ROLL-UP DOOR

AIRWALL STO

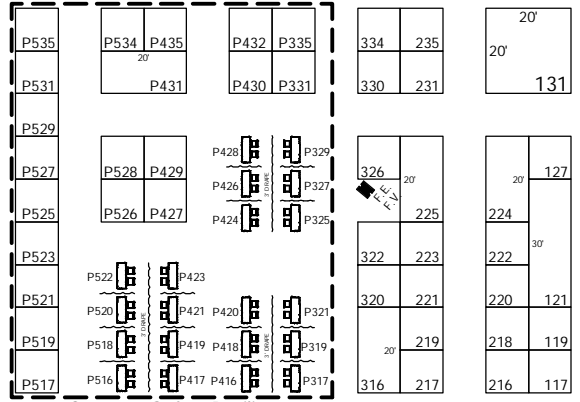
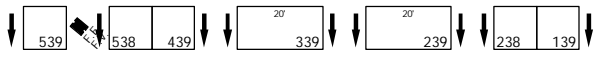
F.E.
F.V.



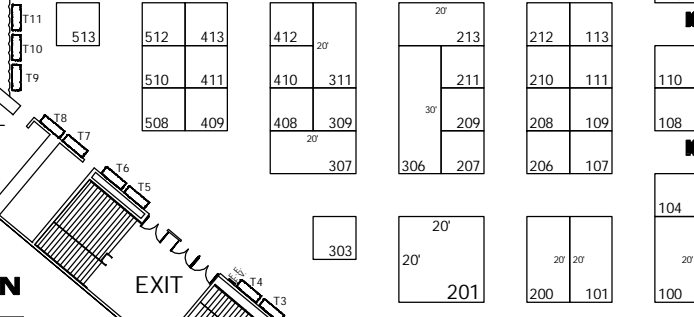
EXHIBIT HALL A

RECEPTION AREA

FOOD AREA



Campus Safety Pavilion



ELECTRICAL ROOM

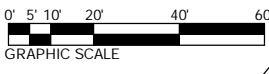
FREEMAN

EXIT

EXIT

ENTRANCE

EXIT



DISCLAIMER
EVERY EFFORT HAS BEEN MADE TO ENSURE THE ACCURACY OF ALL INFORMATION CONTAINED ON THIS FLOORPLAN. HOWEVER NO WARRANTIES, EITHER EXPRESSED OR IMPLIED ARE MADE WITH RESPECT TO THIS FLOORPLAN IN THE LOCATION OF BUILDING COLUMNS, UTILITIES OR OTHER ARCHITECTURAL COMPONENTS OF THE FACILITY IS A CONSIDERATION IN THE CONSTRUCTION OR USAGE OF AN EXHIBIT. IT IS THE SOLE RESPONSIBILITY OF THE EXHIBITOR TO PHYSICALLY INSPECT THE FACILITY TO VERIFY ALL DIMENSIONS AND LOCATIONS.
© COPYRIGHT 2000, FREEMAN DESIGNING CO.
ALL RIGHTS RESERVED.

POLICE - TREPPO WEST
MARCH 30 - 31, 2010
LONG BEACH CONVENTION CENTER
Long Beach, California

NOTE: - ALL AISLES ARE 10' UNLESS OTHERWISE SPECIFIED.
- FLOOR PLAN IS SUBJECT TO CHANGE.
- FLOOR PLAN IS SUBJECT TO FIRE MARSHAL APPROVAL.